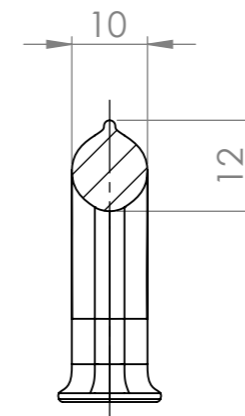
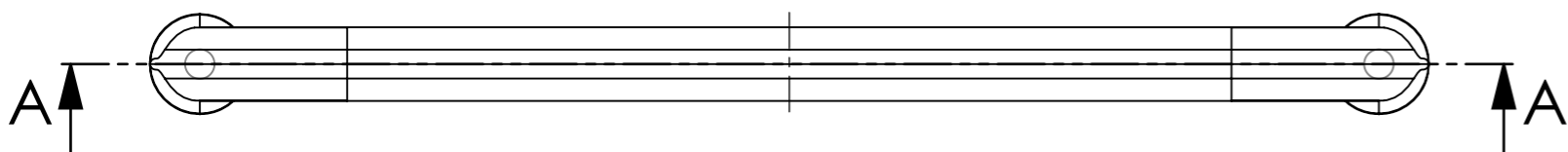
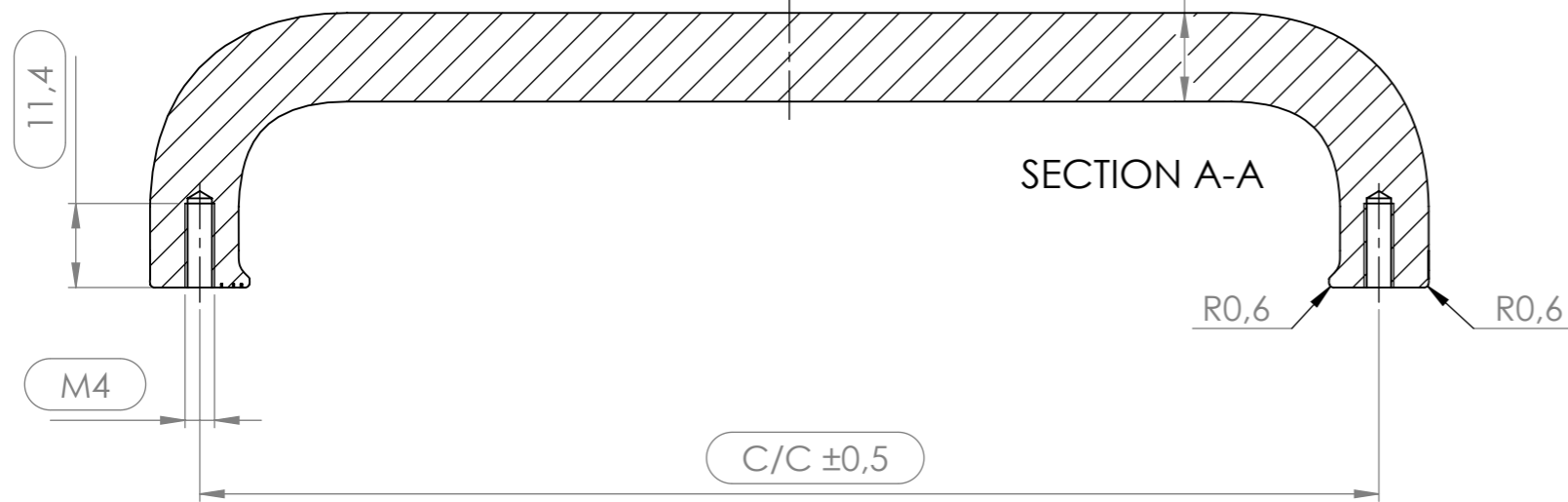
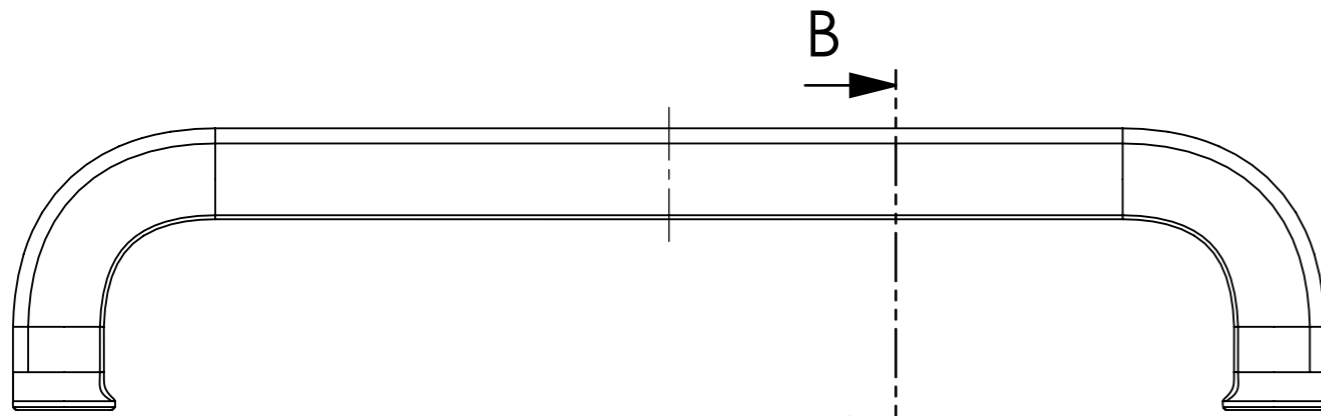
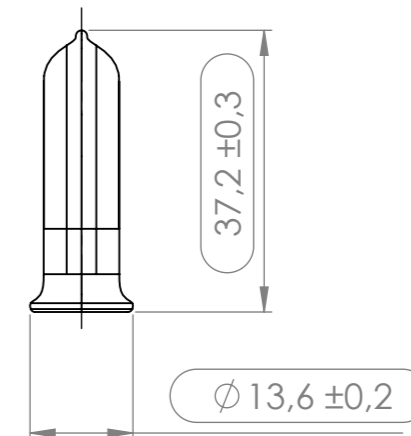


DETAIL C
SCALE 2 : 1



SECTION B-B

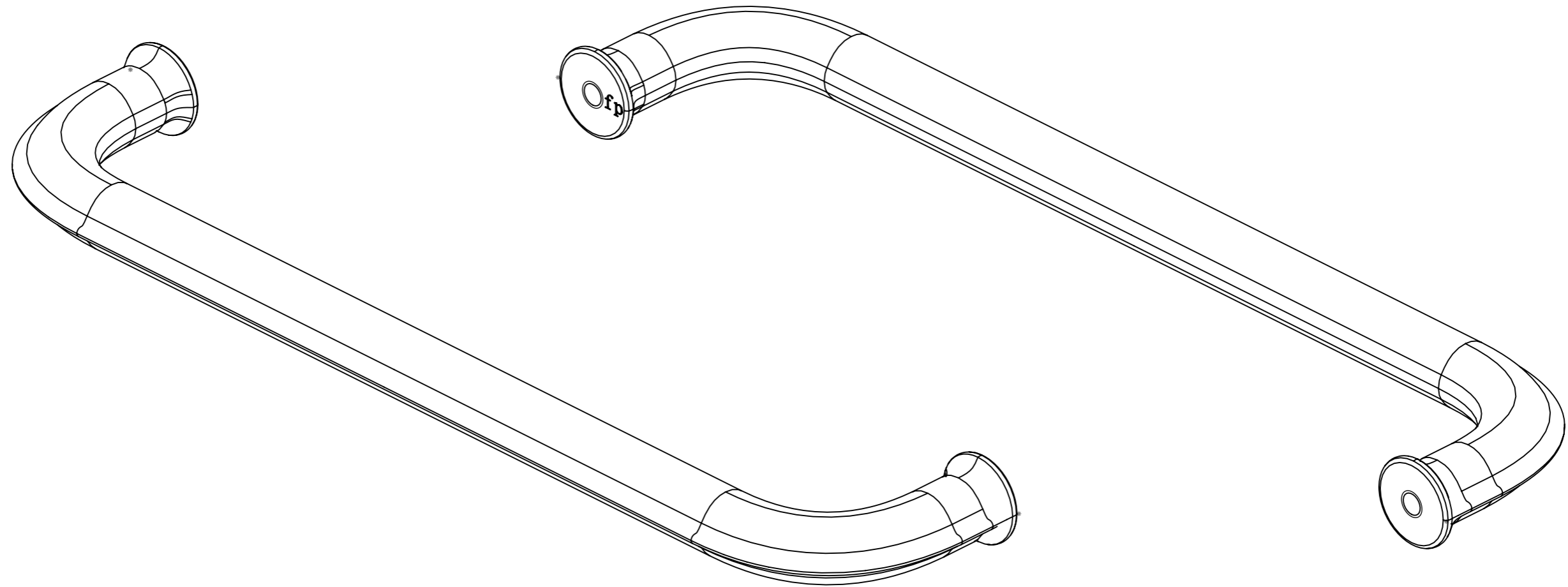


Part name: MOULD	Projection: 	Sheet format: A3	Tolerance unless otherwise specified DS/ISO 2768-1M																
Customer:	Drawn by: MCH date 11-07-2018	Scale: 1:1	Linear dimensions: <table border="1"> <tr> <td>0-3</td><td>3-6</td><td>6-30</td><td>30-120</td><td>120-400</td><td>400-1000</td><td>1000-2000</td><td>2000-4000</td> </tr> <tr> <td>± 0.1</td><td>± 0.1</td><td>± 0.2</td><td>± 0.3</td><td>± 0.5</td><td>± 0.8</td><td>± 1.2</td><td>± 2</td> </tr> </table>	0-3	3-6	6-30	30-120	120-400	400-1000	1000-2000	2000-4000	± 0.1	± 0.1	± 0.2	± 0.3	± 0.5	± 0.8	± 1.2	± 2
0-3	3-6	6-30	30-120	120-400	400-1000	1000-2000	2000-4000												
± 0.1	± 0.1	± 0.2	± 0.3	± 0.5	± 0.8	± 1.2	± 2												
Part no.: 544760xxx	Page 1 of 2	Weight: 115.10 grams	<table border="1"> <tr> <td>Angle</td><td>Radius</td><td></td><td></td> </tr> <tr> <td>± 0.5°</td><td>± 0.2</td><td></td><td></td> </tr> </table>	Angle	Radius			± 0.5°	± 0.2										
Angle	Radius																		
± 0.5°	± 0.2																		
Material: Zinc																			
<small>Delta 2 DK-8382 Hinnerup Phone: +45 87 64 35 00 Fax: +45 87 64 35 01</small>																			

Rev.:	Date:	Name:	Description:
C	18-07-2019	IKR	New length added
B	13-01-2019	IKR	Geometry changed
A	11-07-2018	MCH	Initial release

PART NO.	C/C	LENGTH
544760096	96	109,5
544760160	160	173,5





Rev.:	Date:	Name:	Description:
C	18-07-2019	IKR	New length added
B	13-01-2019	IKR	Geometry changed
A	11-07-2018	MCH	Initial release

Part name: MOULD	Projection: 	Sheet format: A3	Tolerance unless otherwise specified DS/ISO 2768-1M																		
Customer:	Drawn by: MCH date 11-07-2018	Scale: 1.5:1																			
Part no.: 544760xxx	Page 2 of 2	<table border="1"> <thead> <tr> <th>Linear dimensions:</th> <th>0-3</th> <th>3-6</th> <th>6 - 30</th> <th>30- 120</th> <th>120- 400</th> <th>400- 1000</th> <th>1000 2000</th> <th>2000 4000</th> </tr> </thead> <tbody> <tr> <td></td> <td>± 0.1</td> <td>± 0.1</td> <td>± 0.2</td> <td>± 0.3</td> <td>± 0.5</td> <td>± 0.8</td> <td>± 1.2</td> <td>± 2</td> </tr> </tbody> </table>		Linear dimensions:	0-3	3-6	6 - 30	30- 120	120- 400	400- 1000	1000 2000	2000 4000		± 0.1	± 0.1	± 0.2	± 0.3	± 0.5	± 0.8	± 1.2	± 2
Linear dimensions:	0-3	3-6	6 - 30	30- 120	120- 400	400- 1000	1000 2000	2000 4000													
	± 0.1	± 0.1	± 0.2	± 0.3	± 0.5	± 0.8	± 1.2	± 2													
Material: Zinc	Weight: 115.10 grams	<table border="1"> <thead> <tr> <th>Angle</th> <th>Radius</th> </tr> </thead> <tbody> <tr> <td>± 0.5°</td> <td>± 0.2</td> </tr> </tbody> </table>		Angle	Radius	± 0.5°	± 0.2														
Angle	Radius																				
± 0.5°	± 0.2																				
		<small>Delta 2 DK-8382 Hinnerup Phone: +45 87 64 35 00 Fax: +45 87 64 35 01</small>																			
COPYRIGHT: THIS DRAWING MAY NOT BE COPIED OR REPRODUCED IN ANY WAY WITHOUT DIRECT PERMISSION FROM FURNIPART A/S																					